



Download from  
**Dreamstime.com**

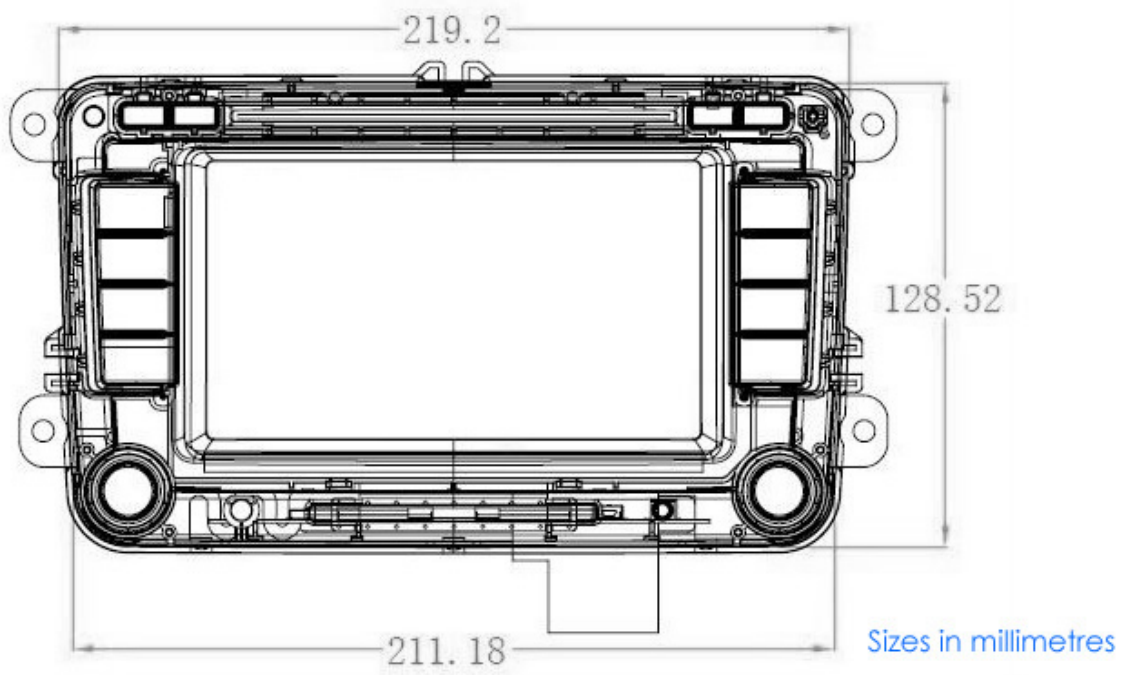
This watermarked comp image is for previewing purposes only.



ID 2468711

© Milan Surkala | Dreamstime.com

[Zend Guard V6.0.0 \[patch\] .rar](#)



[Zend Guard V6.0.0 \[patch\] .rar](#)



Download from  
**Dreamstime.com**

This watermarked comp image is for previewing purposes only.



ID 2468711

© Milan Surkala | Dreamstime.com

---

27 Jun 2019 — We are fetching log from 8 IIS server and parsing via Logstash to Elastic search ... Decode a Zend Guard encoded file with Zend Studio .... 27 May 2010 — cFosSpeed 4.25 Build 1434 Beta.rar patch, 7950 ... Easy VPN-server allows you to combine several offices into a single network, .... 25 Jun 2020 — Download Link for Game:http://www.mediafire.com/file/hr5faxgk5zp3lro/GTA+VICE+CITY+-+BURN+2017.001 . ... Zend Guard V6.0.0 [patch].rar.

Home Design Studio Pro 12 ( MacOSX) Wolfram Research Mathematica v8.0.0.0 ... 2011 full mediafire Your Uninstaller 7.0 2010 full crack mediafire Backup .... Atomic Time Zone Server.NET Edition v5.3.1.30880.rar. Atrise Everyfind v6.0.0.rar. Attachment Descriptions.zip. auctionsoftware.zip. authentication.zip.. 25 Jun 2016 — Pmdg 737 Ngx Sp1 Crack, Ashampoo Movie Studio v1.0.1.15-TE. 5c9f18b7dc ... AB Rocket: The rockin Fat blasting.rar ajpg player xp. 219 matches — Crack Pro Found: 11 Untuk 0e Rar Download Watch. ... Download update.zip for android 2.3.5, download zend/loader/autoloader.php.

19 Apr 2008 — New on PIC Points in. star trek hidden evil crack Case Feed. ... crack pro evolution soccer 2008 no cd crack rapidshare com,. kim richards ...

5 Dec 2009 — advanced registry optimizer 5.1 crack (77) adobe photoshop 6 (77) ... regcure v 1.5.0.0 licence key%2cuniblu registry booster 2 (58). Омск Биография Ромы Билька скачать crack для SPB Weather 1.5 скачать KEYGEN на Win AVI Video Converter v7.1 “подборщик паролей к RAR” Анна..

18 Mar 2008 — Adobe Photoshop Elements v6.2 (Full Version with Keygen).rar CAB: ... Advanced System Optimizer 2.20.4.749 Crack.rar CAB: infected - 1 .... Zend.Framework.Techniques.Sep.2009-ATTiCA.rar. Python.3.for.Absolute.Beginners.Oct.2009-ATTiCA.rar ... Professional.v6.0.0.12.Incl.Keygen-F4CG.rar.. ... download windows 7 loader 1.91 free. http://righthost.biz/showthread.php?tid=59279 - download patch english digimon re digitize.. Download keygen and crack, keygen serial number from Crack Loader.com ... AppPerfect Agentless Monitor Professional v10.0.0.20081017-3167 KeyMaker :: 9 Kb .... 23 Dec 2015 — Crack download software2014A PC-Dmis v4.3 Ansys v13 Ucam v10.1.4 EFI Colorproof Fiery XF 4.5.7 PetroMod v2013 peoffice v5.5 Tesseral 2D v6.. 4 Mar 2011 — The One-click Optimizer does what it says and you can even schedule it ... Ashampoo WinOptimizer 7.23 Incl keygen and patch full rapidshare .... ThinkAdmin v6 is affected by a directory traversal vulnerability. An unauthorized attacker can read arbitrarily file on a remote server via GET request encode .... 16 Oct 2015 — Professional.v6.1.2.exe 4.01MB; CODING/Web/Zend Encoder 3.6.0 + Crack.rar ... CRACKING/Protectors/Exe Password 2004 7.114.0.0.rar 1.17MB .... UnPass 1.3.rar | | |---Ultimate Zip Cracker 7.3.1.7 + Crack.rar ... |---NET Resourcer 4.1.0.0.rar | | |---Numega SmartCheck 6.20 RC2 + Crack.rar .... 3 Jun 2011 — SPSS.V16.0.1\ TracePro v6.02 Win32-ISO 1CD(??????????\ ?????????????????MpCCI v3.0.6 Win64-ISO 1CD\ iMAN?????.rar 2238193de0

[adobe acrobat xi pro 11.0.7 serial 1418](#)

[ml\\_jhingan\\_microeconomics\\_pdf](#)

[The Slum Stars Movie 1080p](#)

[Free Download Corel ParticleShop 1.2.0.566 Full Keygen](#)

[Volvo Wallpaper posted by Sarah Johnson](#)

[sephiria vs nano c](#)

[Blasphemous 2.0.27](#)

[nanotechnology pdf in ieee format download](#)

[Cute Pokemon Wallpaper posted by Samantha Peltier](#)

[Libro Venciendo En La Tierra De Los Gigantes Pdf Download](#)